



# Optical Cable Chamber

For Microducts and Fiber Optic Cable Installation

---

## Features

- Lightweight, yet extremely robust
- Large inside diameter gives large workspace
- Wide access hole
- Watertight sealing ring
- Horizontal and vertical ribs stabilize the chamber in soil and increases mechanical strength
- Flat lid facilitates installation
- Compact - Fast creation of connection holes
- Easy transportation — no need of crane on construction site
- Bright workspace thanks to orange colour of inside surface
- High resistance to corrosion and chemical substances
- Long service life (>50 years)

## Application

The Hexatronic NDL 10900 is an optical cable connection chamber for underground installations. It is normally used to house splice closures or excess fiber optic cable. A watertight cover with rubber sealing ensures easy access. Horizontal and vertical ribs stabilize the chamber in soil and increase mechanical strength without the need for space-consuming center support.

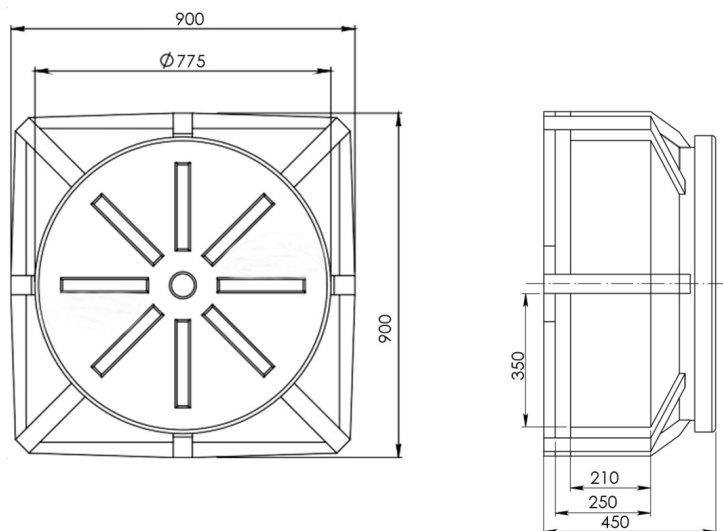
The flat lid facilitates installation. No need to dig deep holes to cover the lid.

Standard color is orange, but can on request be ordered in black, green or other color.

The chamber is suitable for underground cable telecommunications networks, railway signal lines etc.

It can be installed in most areas without traffic such as green areas, pedestrian and bicycling zones.

## Product Information



**Material:** Polyethylene (PE)

**Load bearing capacity:** 15 kN

---

## Technical Information

**Tuotteen väri**

Orange

**Tekniset tiedot**

Maximum load 15kN

## Articles 1

Article name	Väri	Mitat [mm]	Paino [kg]
Optical Cable Chamber (orange) NDL10900/1	Orange	450 × 900 × 900	21.5