



96F UG FDH – LC/APC, 5mm tails

Features

- Connectivity for up to 96 x LC/APC connections.
- IP68: watertight base and dome with clamp and integrated sealing.
- Easy access tear-out ports seals.
- Mechanical compression port seals.
- Strong and lightweight, single-piece raceway construction.
- Quick and easy installation.
- Central mid-span storage

Application

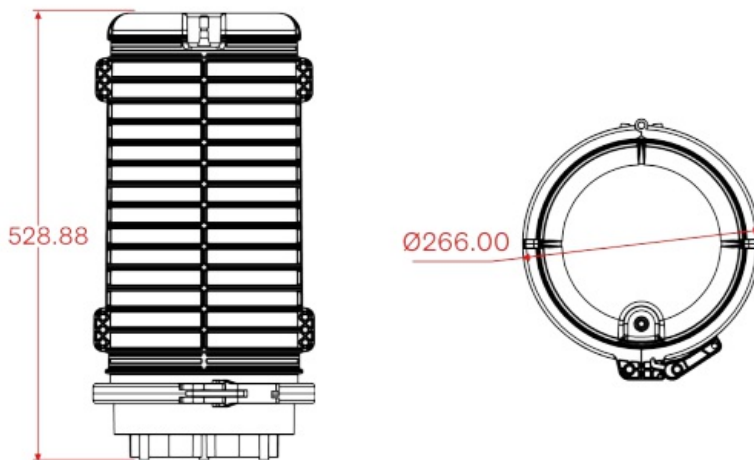
The Hexatronic Dome Closures are suitable for all jointing and branching applications and can also be utilized as splitter locations and customer connection points.

Design

Introducing the 96-Fiber Hexatronic Fiber Distribution Hub - offering reliability, ease of use and a secure solution to cater to FTTH installations. This underground FDH is an IP68-rated dome closure with 8 x 12/24 fiber splice cassettes that provide ample splice capacity for any jointing and branching applications. Easy access tear-out port and mechanical seal make cable entry simple and secure. The FDH ensures a watertight base with a clamp and integrated O-ring system that makes it perfect for use in harsh environments. It was designed with Hexatronic's key principles in mind: speed of deployment, ease of use, innovative thinking and high quality.

Product Information

Dimensions:



Technical Information

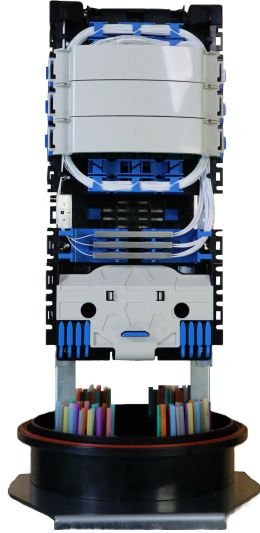
Product Color

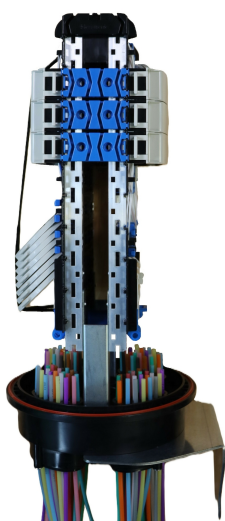
Black/Blue

IP Rating

IP68

Technical Details





Articles 5

Article name

96F UF FDHw/5mm Tails & 1x1:32
HUS00055A

96F UF FDHw/5mm Tails & 2x1:32
HUS00073A

96F UF FDHw/5mm Tails & 3x1:32
HUS00053A

96F UG FDH - LC/APC, 5mm tails
HUS00042A

96F UG FDHw/5mm Tails & 6x1:16
HUS00041A