



# Rack System

19", 42U

---

## Features

- Supports PON and P2P networks
- 19" established standard
- A very flexible system with multiple ODF systems, splitters and accessories to chose from
- High-capacity, up to 2016 SC -terminations
- Small footprint and height (42U)
- Patch cable over-length handling inside the foot print of the rack system or in external patch handling module
- Supports patch cable assemblies and MPO based cable assemblies for efficient and fast fiber termination

## Application

The 19" standard Rack System offers a high-capacity, easy installed fiber management system to organize and terminate large quantities of fiber. The Rack System normally constitutes the cabling interface between any active fiber access node and the subscriber line side.

The system is designed typically for FTTH networks, such as Point to Point (P2P) and/or PON but suits any type of network, metro or transport, with a high number of fiber terminations with space for patch cords or multi cable assemblies.

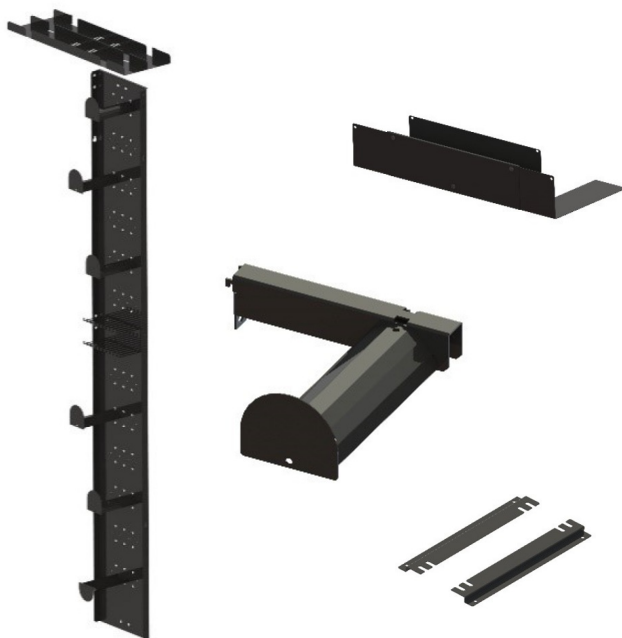
## Design

The Rack System consists of a 19" rack to host optional Optical Distribution Frames (ODF's), splitter ODF's or splitter modules in supporting frames.

The established 19" standard modular architecture makes it easy to configure the system to meet specific requirements and future needs. New hardware, additional ODF:s or splitter module configurations are easily added.

A fully equipped ODF cabinet supports up to 2016 connectors of SC-type.

## Product Information



The system is built on a 2.1 m high rack which makes the system slightly lower than many other solutions on the market. Low height may be essential since many nodes in FTTH systems are not positioned in traditional Telecom rooms giving enough roof space.

Cables are normally routed from the top of the rack but there is also an option to add an additional cable channel (accessory) placed in the bottom of the rack.

The rack can be attached to a wall by using the included wall brackets or, optionally, the floor attachment accessory can be utilised.

The fiber from the patch cables can be stored both inside the rack, for instance by using 10" or 14" ODF systems, or outside the rack by using the external patch overlength accessory solution.

All installation and maintenance is performed from the front of the cabinet.

## Articles 5

Article name	Väri	Mitat [mm]	Paino [kg]
<b>Central office 19" rack system 2100</b> BAB326200	Black	2100 × 6000 × 400	10
<b>Patch handling bend restrictor</b> BAB326200/1	Black	–	0.3
<b>External patch handling module</b> BAB326200/2	Black	–	0.3
<b>Floor attachment</b> BAB326200/3	Black	–	0.3
<b>Floor cable channel</b> BAB326200/4	Black	–	0.3