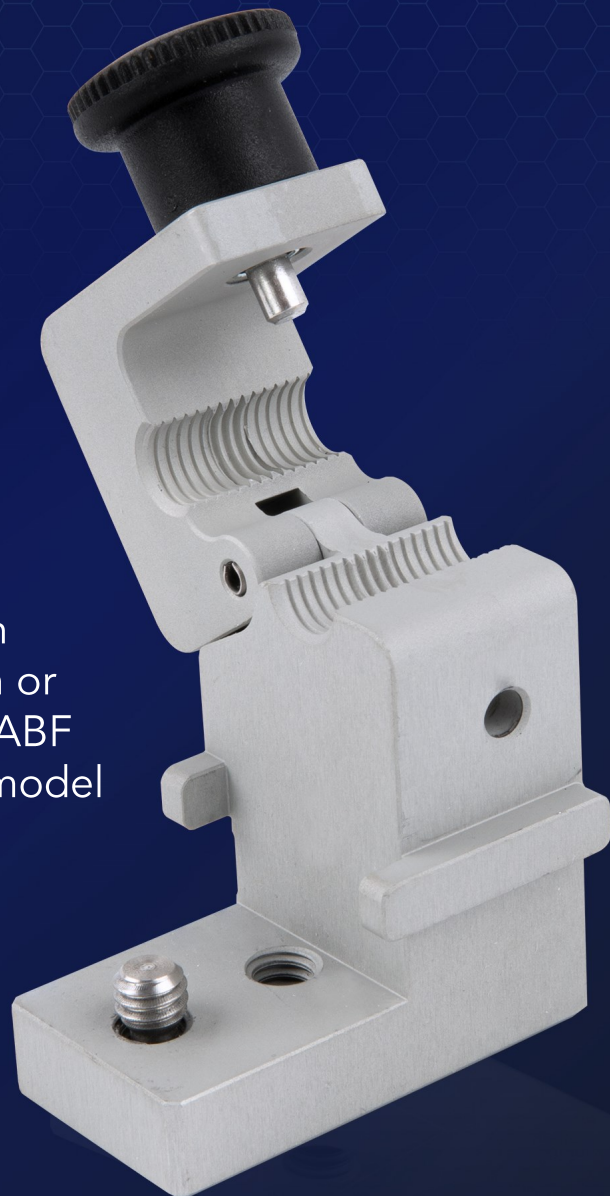


HEXATRONIC 

Air Blown Fibre (ABF) Duct Clamp

Available as an
individual item or
supplied with ABF
Blowing Tool model
LTT1792040/7



Duct Holder for ABF Installation Tool

For 7mm Ducts

DESCRIPTION

The duct clamp is an accessory to the ABF Installation Tool.

Enabling a secure and snug fit, it ensures a positive and strong fitting suitable for high pressure distance blowing.

The duct holder also facilitates the installation by attaching to the blowing tool even when the main body is in an open position. An advantageous addition when blowing fibres that are pre-terminated with a connector ferrule.

This innovation is a huge benefit for any installer wishing to deploy 'Pre-terminated ferrules' or performing a 'Mid-Blow'

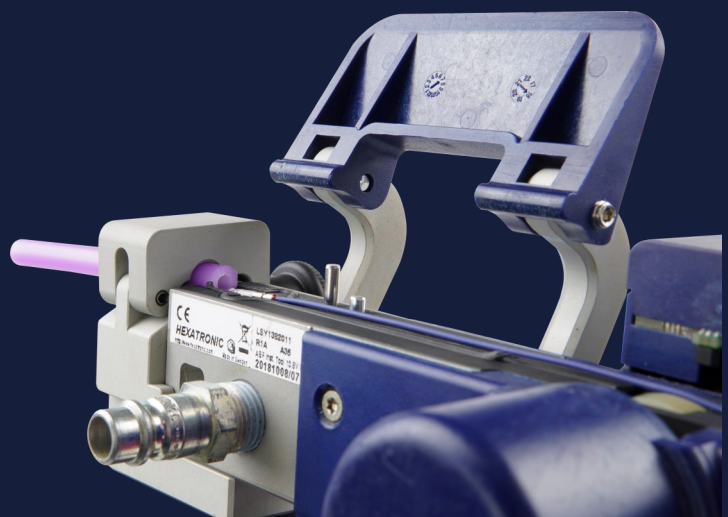
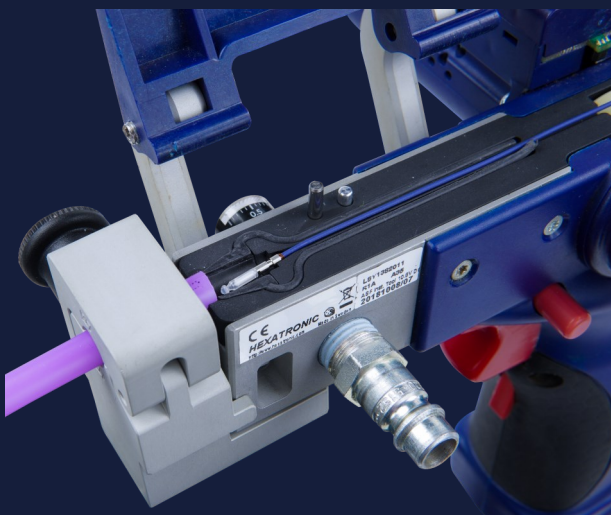


TECHNICAL INFORMATION

Type: Air blown fibre (ABF) installation

Supported products: For ABF Installation Tool FOTT-LTT1792040 and FOTT-LTT1792011

Capacity: 7mm microducts

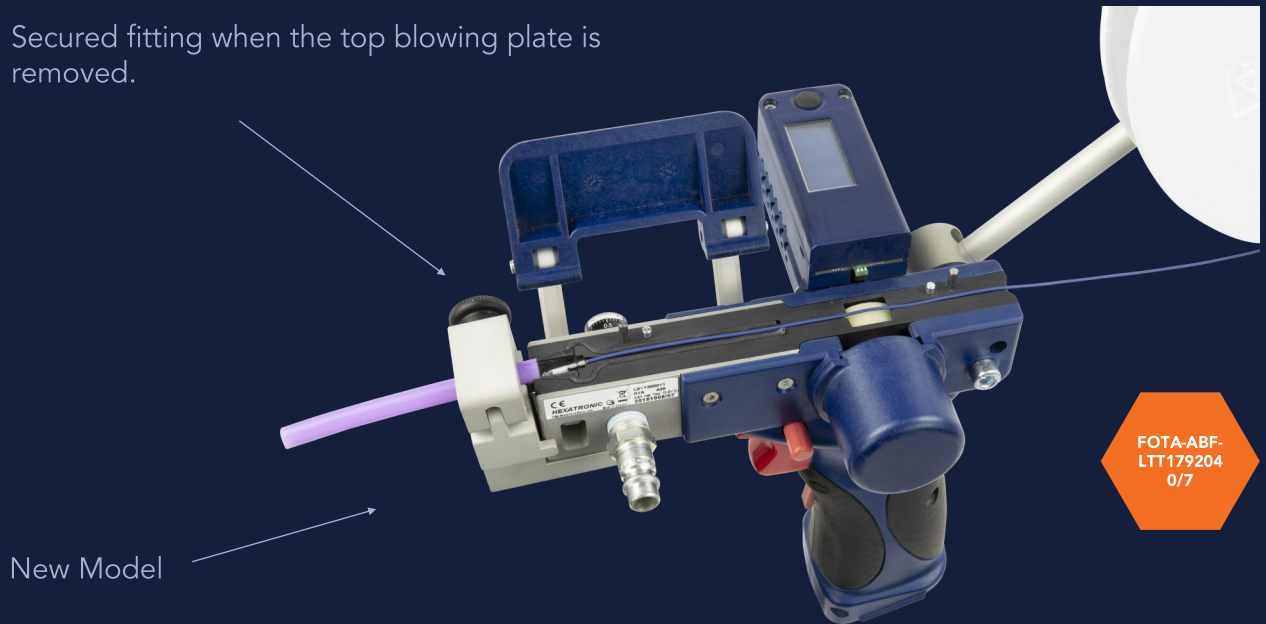


Duct Holder

DID YOU KNOW?

The Air Blown Fibre (ABF) Duct Holder supports both our new and old models. The Clamp is supplied as standard with model LTT1792040/7. Secure Microducts in place, even with the blowing tool opened

Secured fitting when the top blowing plate is removed.



Old Model



PART NUMBER	DESCRIPTION
FOTX-HSXA136131-3	DUCT CLAMP FOR 7MM MICRODUCTS
FOTA-ABF-LTT1792040/7	ABF BLOWING TOOL - INCLUDING DUCT CLAMP - BLUE - 1-12F
FOTA-ABF-KIT-110V	ABF BLOWING TOOL KIT, TOOL, 10B COMP 110V, TRIPOD, HOSE, SPARES
FOTA-LTT1792011	ABF BLOWING TOOL - INCLUDING DUCT CLAMP - BLACK- 1-12F - OLD VERSION



We offer advice and technical support

Hexatronic are always ready to answer your questions regarding ordering, installation or technical support. Contact us at info@hexatronic.co.uk, or visit www.hexatronic.co.uk for general enquiries.

Contact servicing@hexatronic.co.uk for servicing enquiries.

Supporting Products Available



AIR BLOWN FIBRE KIT



MICRODUCT CUTTER – PLIERS



ABF PRE-TERMINATED SWIFT ASSEMBLY



MICRODUCT ASSEMBLY CUTTER



DUCT INTEGRITY KIT



MICRODUCT CUTTER – SMALL



1SHOT



BLOWING BEADS



ABF STRIP TOOL



CLEANING SPONGES



STINGRAY PANS



COUPLERS

View our website to see more!

HEXATRONIC

Hexatronic UK, Unit B, Quay West, Gosport, PO12 4LJ, United Kingdom

Tel +44 (0) 2392 580 555 info@hexatronic.co.uk www.hexatronic.co.uk

